



SENFENG LEIANG
LASER

SENFENG LEIANG
LASER

Exclusive distributor in Australia

ALPHA CNC GROUP PTY LTD

21/2-4 Picrite Close, Pemulwuy NSW 2145

Phone: 02 9683 6117

Email: info@alphacnc.com.au

Web: www.alphacnc.com.au

ALPHA SENFENG Fiber Laser Cutting Machine

SF3015H-3000/4000/6000/8000



Specifications:



Model	SF3015H
Cutting Table Size	1500mm*3000mm
X-axis Travel	3000mm
Y-axis Travel	1500mm
Z-axis Travel	80mm
Laser Power	3KW/4KW/6KW/8KW
Positioning Accuracy	±0.05mm
Repetitive Accuracy	±0.02mm
Maximum Speed	100m/min
Power	3 Phase 415V/50Hz /100A
Machine Weight	6500KG
Dimension	9500*3160*2000mm
Laser Source	Raycus fiber laser 3KW/4KW/6KW/8KW
Laser Head	Raytools
CNC Controller	Cypcut - PC based CNC - easy integration into factory network
Cabinet Electrical	SIEMENS/Schneider
Machine Frame	SF3015H
Water Chiller	Specialized for 4KW fiber laser
Dust Exhausting Fan	3KW



Features:

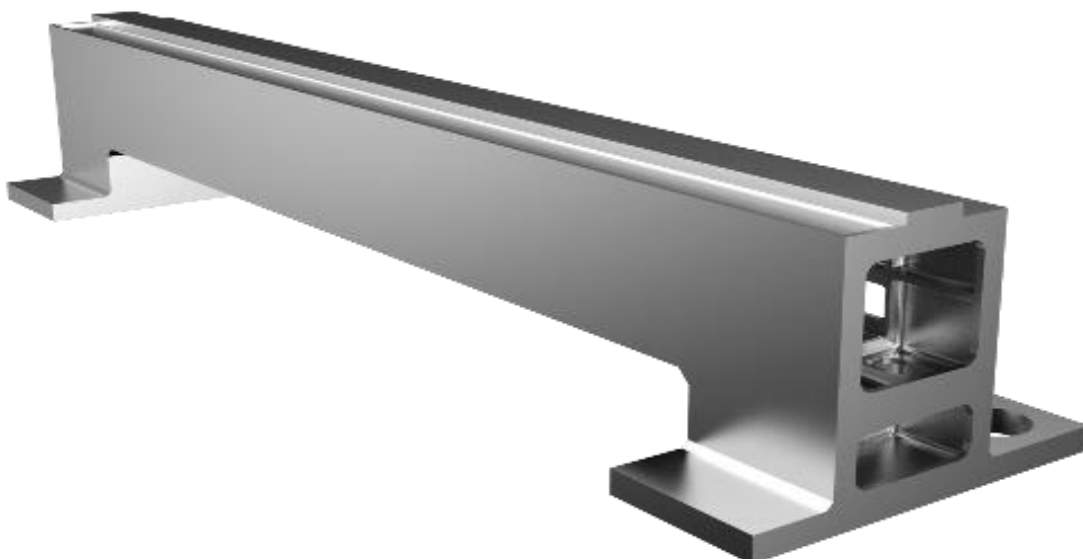
Pipe Welding Frame

Whole machine is machined by high accuracy CNC gantry machine center, 600° C heat treatment has been done on the machine frame, which gives Alpha SENFENG laser cutting machine a minimum 20 years life without mechanical distortion.



Cast Aluminium Beam

Light cast aluminium beam has been adopted to guarantee fast and high precision cutting





Application & Capability

Materials:

Carbon steel - Stainless steel - Aluminum alloy – Brass – Copper - Galvanized Steel - Titanium

Thickness:

0.5-20mm carbon steel - 0.5-10mm stainless steel - 0.5-8mm aluminium - 0.5- 5mm brass



Industries:

Sheet metal manufacturing, Automobile, machinery manufacturing, elevator manufacturing, household appliances, kitchen and sanitary ware, signage, and other machinery manufacturing and processing industries.





Cutting Parameters 4KW

Material	Thickness (mm)	Cutting speed (m/min)	Cutting Gas
Stainless steel	1	30	N2
	2	12	N2
	3	7	N2
	4	5	N2
	6	2	N2
	8	1.1	N2
	10	0.8	N2
Carbon steel	1	25	N2
	2	12	N2
	3	4.3	O2
	4	3.8	O2
	6	2.1	O2
	8	1.8	O2
	10	1.3	O2
	12	1.1	O2
	14	0.8	O2
	16	0.7	O2
	20	0.5	O2
Brass	1	22	N2
	2	10	N2
	3	6	N2
	5	1.8	N2
Aluminum	1	24	N2
	2	10	N2
	3	6.5	N2
	4	3.5	N2
	5	2	N2
	6	1.5	N2



SENFENG LEIMING
LASER

SENFENG LEIMING Workshop & Showroom



USA branch



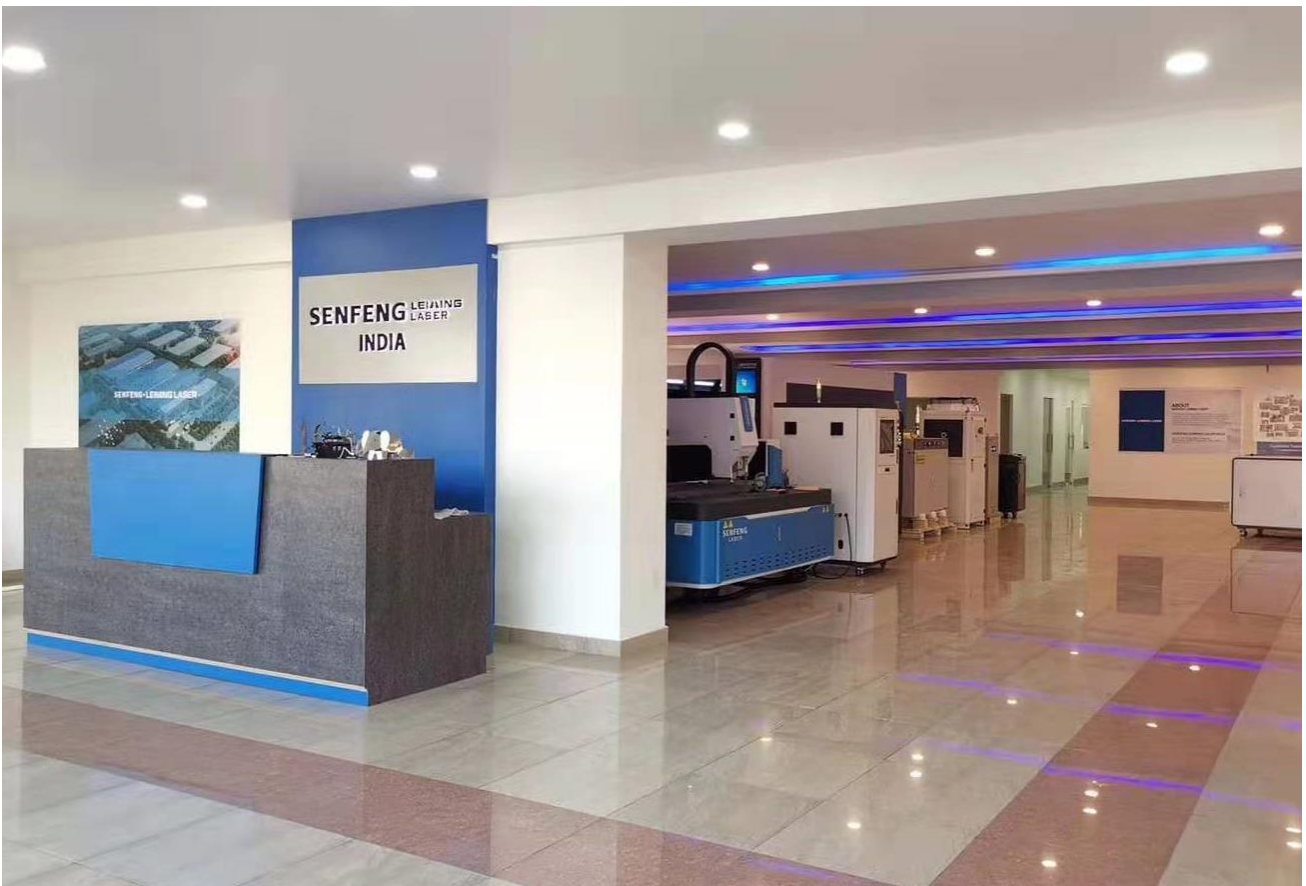


SENFENG LEIMING
LASER

Germany Branch



India Branch





Other Products

3D Robot



3D Robot Laser Automation System



3D Laser Cutting and Welding

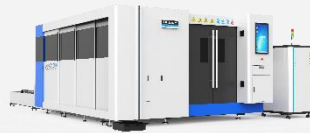


Arm 3D Robot

Plate and Tube Cutting Machine



Tube Laser Cutter



Dual Table Sheet Fiber Laser Cutter
With Safety Cover



Sheet Fiber Laser Cutter

Other Laser Equipment



Automatic Laser Cutting Production Line



Laser Cleaner

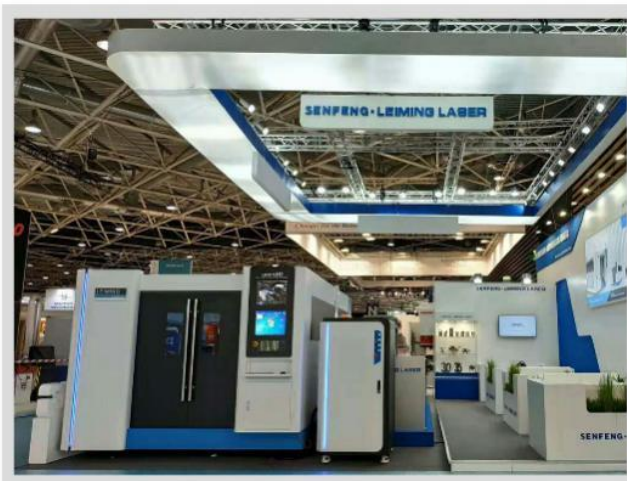
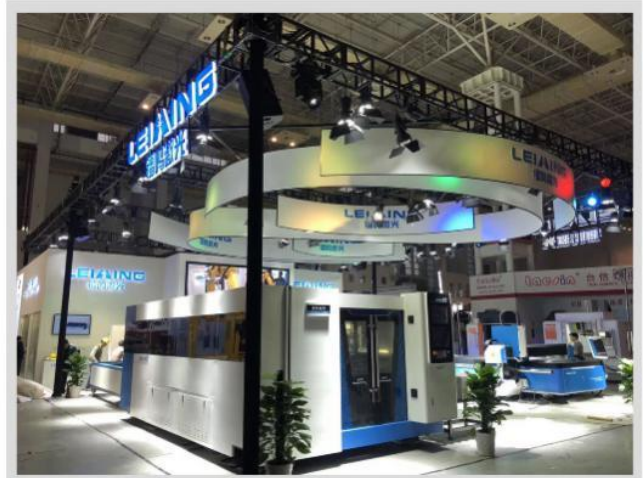
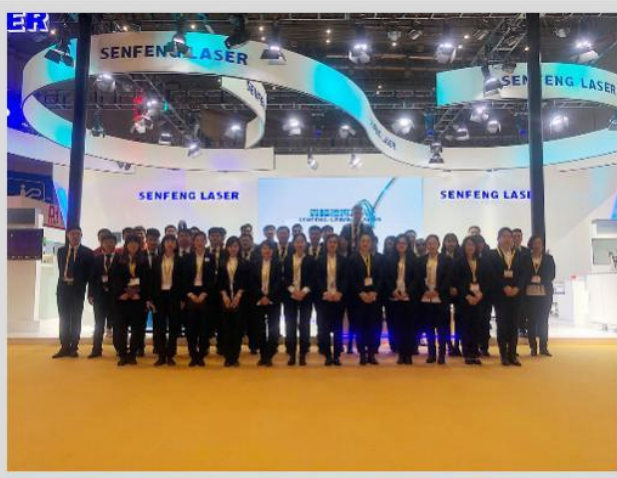


High Precision Laser Cutter



SENFENG LEIMING LASER

Trade shows





SENFENG LEIANG
LASER

Thanks for your interest

ALPHA CNC GROUP PTY LTD

21/2-4 Picrite Close, Pemulwuy NSW 2145

Phone: 02 9683 6117

Web: www.alphacnc.com.au

Felix Yan

Mobile: 0420 206 745

Email: felix_yan@alphacnc.com.au